

Hot Water Reset Controls

HWE-MOV

HWE-SS

SEQ-3

HWE-MOV: Hydronic Heating Control for Motorized Valve.

HWE-SS: Hydronic Heating Control for One On/Off Boiler and DHW Priority.

SEQ-3: Hydronic Sequencing Heating Control for Multi-Boilers or Multi-Stage.

DiGi-SPAN® Elite Series



ISO 9001:2008
CERTIFIED

Description:

Simple Affordable Reset Controls for Residential and Small Commercial Applications. Now even smaller commercial properties and homeowners can enjoy the benefits of outdoor reset control without breaking their budget or complicated wiring and installation.

Thanks to the new HWE-Elite and SEQ-3 Series. These controls can manage building temperature using outdoor reset, the most comfortable and efficient means of heat.

• **Single, Multi-Boiler, Multi-Stage Boiler Control.** The SEQ-3 is unique in its capability of satisfying a variety of applications. It is capable of controlling a single boiler with a System Pump and DHW pump. On the other hand it can control two boilers or a two-stage fired boiler and a System Pump. Finally, it can control up to three individual boilers.

• **Motorized Valve Control.** The HWE-MOV Elite

is capable of modulating a floating-type motorized valve to achieve the desired set point or reset ratio.

• **Domestic Hot Water Priority.** With multiple priority options, both the HWE-SS Elite and SEQ-3 can accept a DHW call input and increase the target temperature to meet the DHW and heating demand.

• **Monitor and Control Boiler Return Temperature.**

The HWE-MOV Elite is designed with boiler protection in mind. It monitors the boiler return temperature and modulates the valve to increase the return in low return critical situations.

• **Standard and Customizable Reset Ratios.** Utilizing the standard outdoor reset ratios or set point are built into the HWE-Elite and SEQ-3. In addition, the controls come with a customizable reset ratio for applications where a standard reset ratio would not suffice.

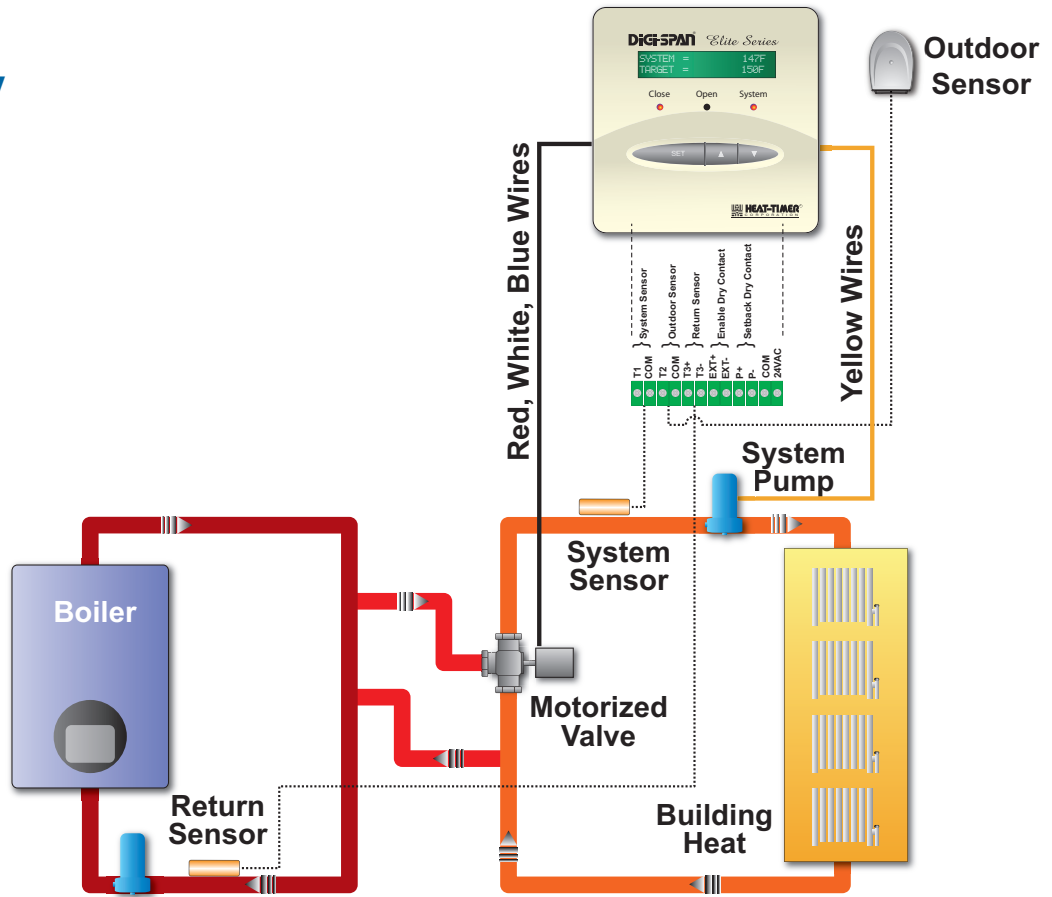
• **Enable/Disable.** No Need to turn the control power off. The Enable/Disable terminals allow the use of external devices or switches to activate/deactivate the control operation.

• **Simplified Menus on an Easy-to-Read 2-Line Digital Display.** Now, with two-line 16 alphanumeric character display and easy-to-read menus, setting and understanding the control operation is a snap.

• **Sensor Fault Output Status Selection.** A feature that allows the user to select the output status when the sensor reads a fault status or is disconnected.

• **Can be Powered by 120VAC or 24 VAC.** The Elite Series is normally powered by 120VAC. However, it has an alternative 24 VAC power input. No transformer is required.

HWE-MOV

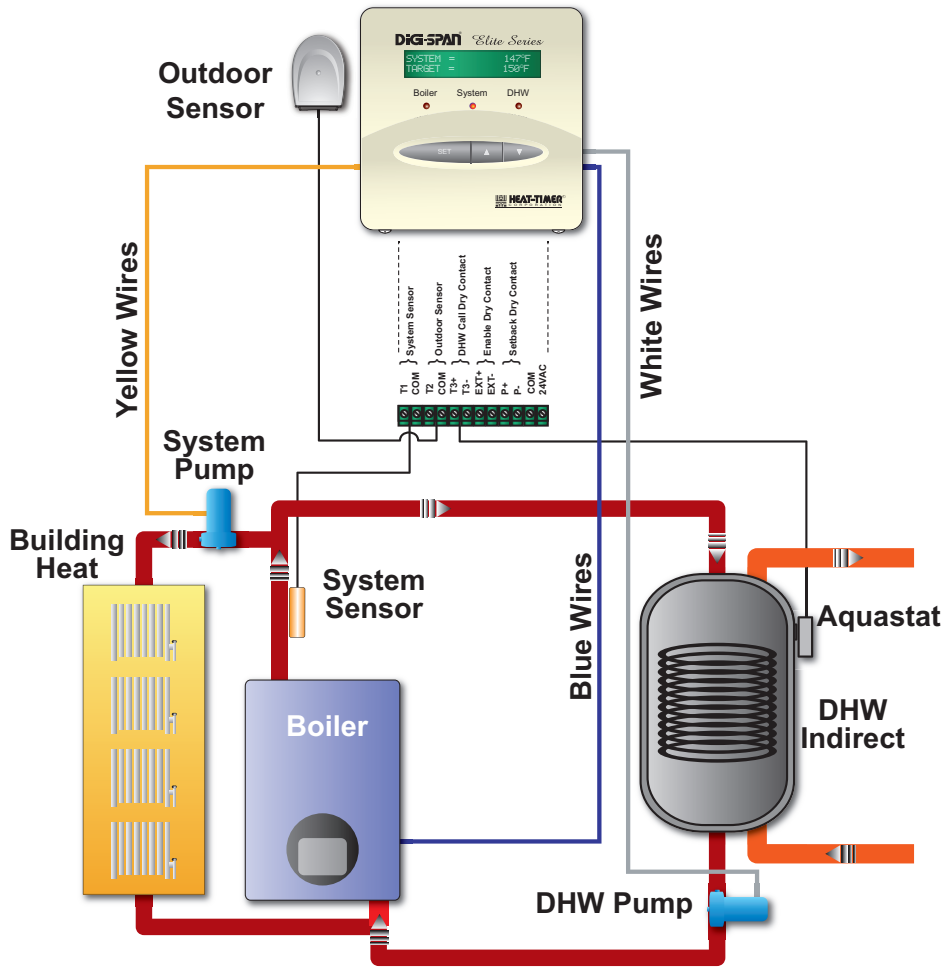


HWE-MOV Elite Specifications:

Voltage Input:	120 VAC 60 Hz(2 Black wires) /24 VAC 60 Hz (24 VAC terminals) (Only One Power Source)
Power Consumption:	3 VA Max
Operating Temperature:	20°F (-7°C) to 120°F (49°C)
Operating Humidity:	20% to 80%
Dimensions:	4"W x 4"H x 2½"
Weight:	1 pound
Display:	Back Lite 2 Line Alphanumeric LCD Display
Display Units:	Fahrenheit (°F) and Celsius (°C)
Outputs:	3 S.P.S.T (Yellow = System Pump.), (White = Open MOV.), (Blue = Close MOV.), (Red = MOV Common)
Output Relay Ratings:	1 Amp inductive, 6 Amp resistive at 120 VAC 60 Hz
Control Modes:	Outdoor Reset, Set Point
Reset Ratios:	12 ranging from 8:1 to 1:4 (Outdoor: System) and Custom
Set Point:	-10°F (-23°C) to 230°F (110°C)
Pump Run-On:	0 to 60 minutes
Minimum Boiler Return:	120°F (158°C) Requires a Return Sensor (Optional)
Valve Mode:	Auto, Close, Open
Setback:	0°F (0°C) to 80°F (44°C)
Boost:	Yes, No
Sensor Fault Operating Options:	Output On or Output Off
Temperature Ranges:	-10°F (-23°C) to 230°F (110°C)
LED:	3 representing the Output relays (Left=Close, Middle=Open, Right=System Pump)
Buttons:	3 (Set, Up, Down)
Enable/Disable:	Terminals EXT+, EXT-

056056-00 REV B



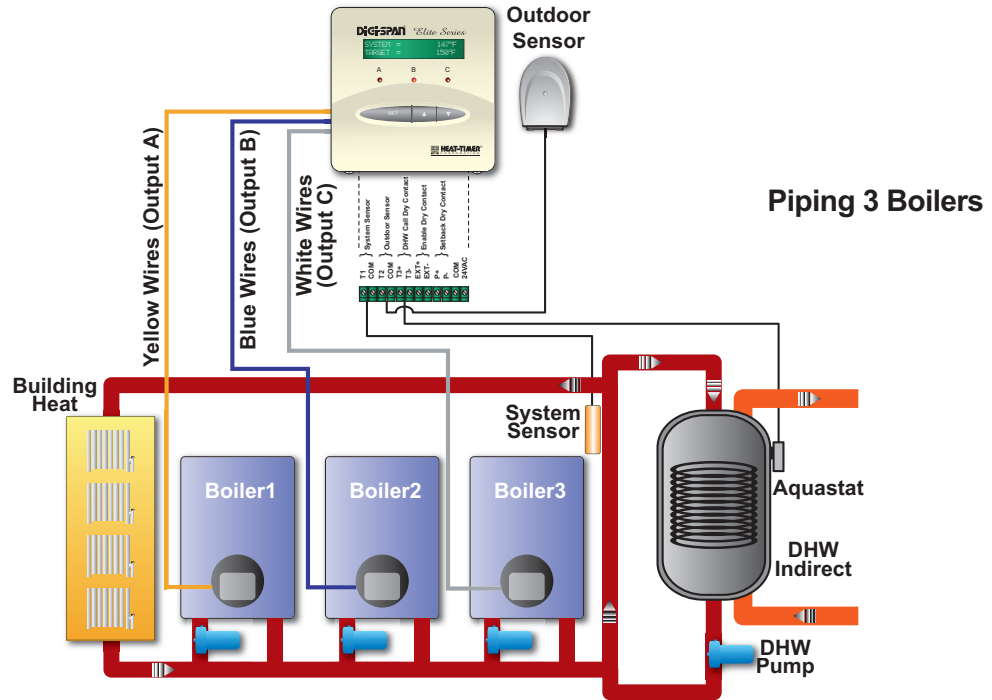


HWE-SS Elite Specifications:

Voltage Input:	120 VAC 60 Hz(2 Black wires) /24 VAC 60 Hz (24 VAC terminals) (Only One Power Source)
Power Consumption:	3 VA Max
Operating Temperature:	20°F (-7°C) to 120°F (49°C)
Operating Humidity:	20% to 80%
Dimensions:	4"W x 4"H x 2½"
Weight:	1 pound
Display:	Back Lite 2 Line Alphanumeric LCD Display
Display Units:	Fahrenheit (°F) and Celsius (°C)
Outputs:	3 S.P.S.T (Blue = Boiler.), (Yellow = System Pump.), (White = DHW pump)
Output Relay Ratings:	1 Amp inductive, 6 Amp resistive at 120 VAC 60 Hz
Control Modes:	Outdoor Reset, Set Point
Reset Ratios:	12 ranging from 8:1 to 1:4 (Outdoor: System) and Custom
Set Point:	-10°F (-23°C) to 230°F (110°C)
Pump Run-On:	from 0 to 60 minutes
DHW Priority Timer Options:	No, Priority, 1- 120 Minutes
Setback:	0°F (0°C) to 80°F (44°C)
Boost:	Yes, No
Sensor Fault Operating Options:	Output On or Output Off
Temperature Ranges:	-10°F (-23°C) to 230°F (110°C)
LED:	3 representing the Output relays (Left=Boiler, Middle=System Pump, Right=DHW Pump)
Buttons:	3 (Set, Up, Down)
Enable/Disable:	Terminals EXT+, EXT-

056056-00 REV B

SEQ-3



SEQ-3 Specifications:

Voltage Input:	120 VAC 60 Hz(2 Black wires) /24 VAC 60 Hz (24 VAC terminals) (Only One Power Source)
Power Consumption:	3 VA Max
Operating Temperature:	20°F (-7°C) to 120°F (49°C)
Operating Humidity:	20% to 80%
Dimensions:	4"W x 4"H x 2½"
Weight:	1 pound
Display:	Back Lite 2 Line Alphanumeric LCD Display
Display Units:	Fahrenheit (°F) and Celsius (°C)
Outputs:	3 S.P.S.T (Yellow = Output1), (Blue = Output2), (White = Output3)
Output Relay Ratings:	1 Amp inductive, 6 Amp resistive at 120 VAC 60 Hz
Control Modes:	Outdoor Reset, Set Point
Reset Ratios:	12 ranging from 8:1 to 1:4 (Outdoor: System) and Custom
Set Point:	-10°F (-23°C) to 230°F (110°C)
Pump Run-On:	0 to 60 minutes
DHW Priority Timer Options:	No, Priority, 1- 120 Minutes
Output Mode:	1-On/Off + 1-Pump, 1-On/Off + 2-Pump, 2-On/Off + 1-Pump, 1-Lo/Hi + 1-Pump, 3-On/Off
Rotation:	1 Hr to 999 Hrs
Setback:	0°F (0°C) to 80°F (44°C)
Boost:	Yes, No
Sensor Fault Operating Options:	Output On or Output Off
Temperature Ranges:	-10°F (-23°C) to 230°F (110°C)
LED:	3 representing the Output relays (Left=Output1, Middle=Output2, Right=Output3)
Buttons:	3 (Set, Up, Down)
Enable/Disable:	Terminals EXT+, EXT-

Item Description

Part

HWE-SS <i>Elite</i> controls a Single Stage Hydronic Boiler	929175-00
HWE-MOV <i>Elite</i> controls a Motorized Valve Hydronic Heating	929180-00
SEQ-3 Multi-Stage or Multi-Boiler Control for Hydronic Applications	929170-00
Digi-Elite Wiring Enclosure with a switch	929135-00
Digi-Elite Wiring Enclosure without a switch	929137-00

056056-00 REV B



20 New Dutch Lane, Fairfield, NJ 07004 973-575-4004 • Fax 973-575-4052 • <http://www.heat-timer.com>