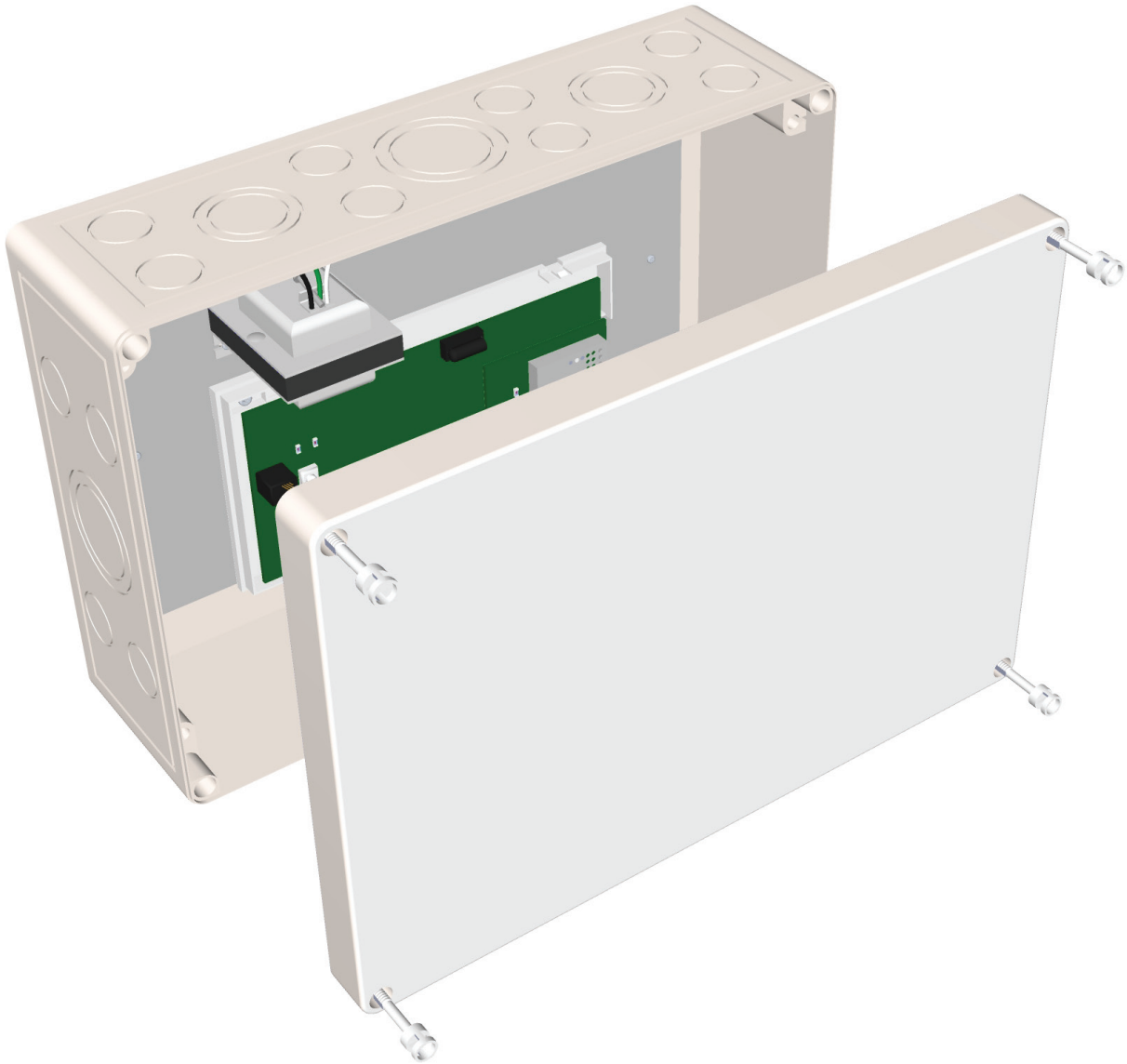


Installation and Operation Manual

Used to House Wireless NM, TRV,
or WTM and their Transformer

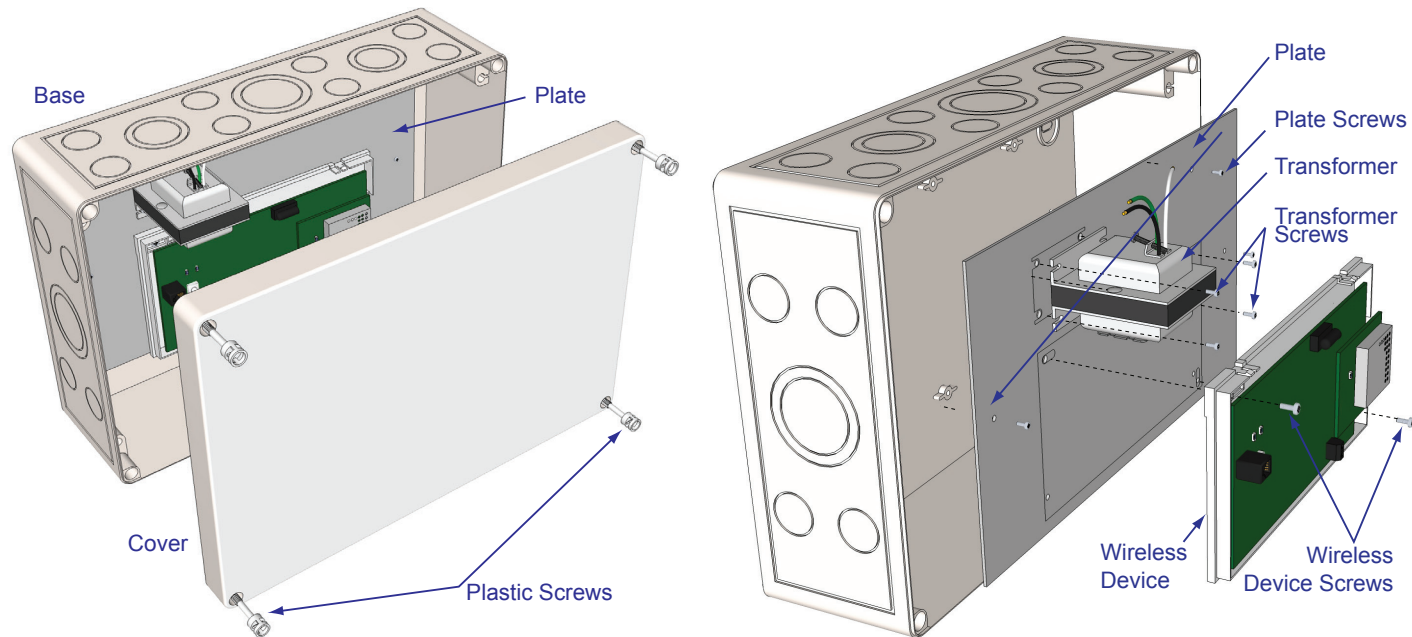
Wireless Enclosure



OVERVIEW

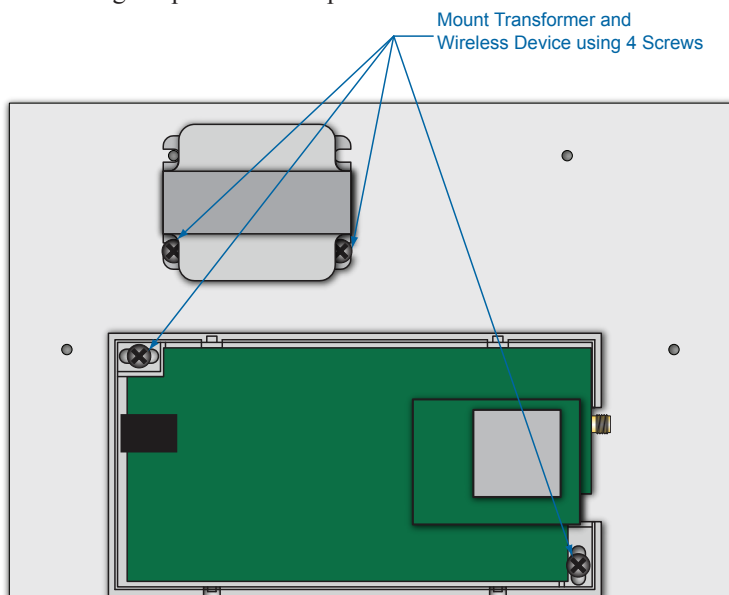
The Wireless Enclosure is used to house any of the Heat-Timer Wireless Network System components and their power sources without reducing the wireless signal strength. It is used primarily to help protect the wireless components from vandalism. It is designed to be mounted indoors on a wall or a ceiling. The primary components of the Wireless Enclosure includes the Base, the Cover, and the Plate.

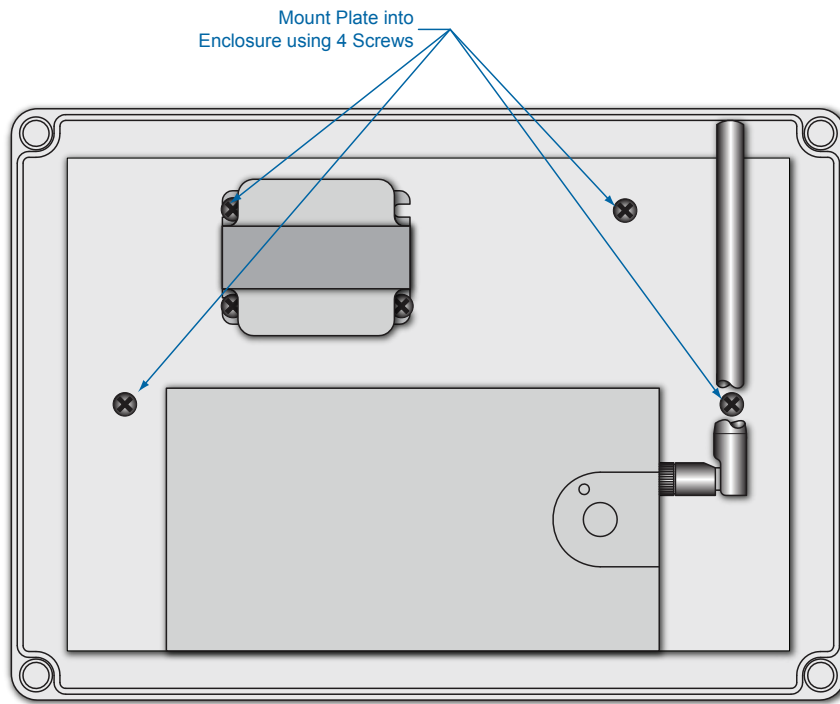
The Base has a large number of varying size knockouts available on each side to fit a variety of conduit sizes. It must be mounted to the wall or ceiling. The Plate mounts to the base using 4 screws. See Opposite page diagram. It has pre-drilled holes for mounting the NM (Network manager), TRV (Transceiver), or WTM (Wireless Temperature Module) and the transformer. See diagrams below. The Cover seals the enclosure. It has four plastic screws. All screws are provided as part of the package.



MOUNTING

- The Enclosure is designed to be mounted indoors to either a wall or a ceiling.
- The mounting location and direction must match the location and direction assigned by the wireless mapping survey.
- Use the anchored screws provided to mount the base to the wall or ceiling.
- Mount the Plate to the Base using the screws provided. For best wireless performance, make sure that the wireless antenna location is away from the transformer.
- Mount the transformer and wireless component to the Plate.
- The Cover will mount to the Base using the plastic screws provided.





SPECIFICATIONS

Knockouts	$\frac{1}{2}$ " , $\frac{3}{4}$ " , 1" , 1- $\frac{1}{4}$ "
Dimensions:	10" x 7" x 3.5"
Mounting:	Wall or Ceiling Mount

WARRANTY

WARRANTIES AND LIMITATIONS OF LIABILITY AND DAMAGE: Heat-Timer Corporation warrants that it will replace, or at its option, repair any Heat-Timer Corporation manufactured product or part thereof which is found to be defective in material workmanship within one year from the date of installation only if the warranty registration has been properly filled out and returned within 30 days of the date of installation. Damages to the product or part thereof due to misuse, abuse, improper installation by others or caused by power failure, power surges, fire, flood or lightning are not covered by this warranty. Any service, repairs, modifications or alterations to the product not expressly authorized by Heat-Timer Corporation will invalidate the warranty. Batteries are not included in this warranty. This warranty applies only to the original user and is not assignable or transferable. Heat-Timer Corporation shall not be responsible for any maladjustments of any control installed by Heat-Timer Corporation. It is the users responsibility to adjust the settings of the control to provide the proper amount of heat or cooling required in the premises and for proper operation of the heating or cooling system. Heat-Timer Corporation shall not be required to make any changes to any building systems, including but not limited to the heating system, boilers or electrical power system, that is required for proper operation of any controls or other equipment installed by Heat-Timer Corporation or any contractor. Third Party products and services are not covered by this Heat-Timer Corporation warranty and Heat-Timer Corporation makes no representations or warranties on behalf of such third parties. Any warranty on such products or services is from the supplier, manufacturer, or licensor of the product or service. See separate Terms and Conditions of Internet Control Management System ("ICMS") services, including warranties and limitations of liability and damages, for ICMS services.

THE FOREGOING IS IN LIEU OF ALL OTHER WARRANTIES, EXPRESS OR IMPLIED AND HEAT-TIMER CORPORATION SPECIFICALLY DISCLAIMS ANY AND ALL WARRANTIES OF MERCHANTABILITY FOR A PARTICULAR PURPOSE. UNDER NO CIRCUMSTANCES SHALL HEAT-TIMER CORPORATION, ITS AUTHORIZED REPRESENTATIVES, AFFILIATED OR SUBSIDIARY COMPANIES BE LIABLE FOR SPECIAL, CONSEQUENTIAL OR INCIDENTAL DAMAGES, EXCEPT AS SPECIFICALLY STATED IN THESE TERMS AND CONDITIONS OF SALE. THE SOLE REMEDY WITH RESPECT TO ANY PRODUCT OR PART SOLD OR INSTALLED BY HEAT-TIMER CORPORATION SHALL BE LIMITED TO THE RIGHT TO REPLACEMENT OR REPAIR F.O.B. FAIRFIELD, NJ. HEAT-TIMER CORPORATION SHALL NOT BE LIABLE OR RESPONSIBLE FOR LOSS OR DAMAGE OF ANY KIND RESULTING FROM DELAY OR INABILITY TO DELIVER FOR ANY REASON, INCLUDING BUT NOT LIMITED TO FIRE, FLOOD, LIGHTNING, POWER FAILURE OR SURGES, UNAVAILABILITY OF PARTS, STRIKES OR LABOR DISPUTES, ACCIDENTS AND ACTS OF CIVIL OR MILITARY AUTHORITIES.

03122010