

MOTORIZED STAINLESS BALL VALVE



APPLICATIONS

- Motorized safety valve for ETV Platinum Plus installations
- Boiler and system isolation valves
- Mixed system temperature piping

VALVE OPERATION

- Electric actuated valve—power to OPEN and power to CLOSE
- Optional battery backup—powers valve CLOSE on a loss of power

VALVE/ACTUATOR FEATURES

- Lead free—AISI 316 stainless valve body
- 8 valve sizes— $\frac{1}{2}$ " to 3" NPT
- Direct mount ISO 5211 full port valve body
- Rugged aluminum actuator enclosure type 4X indoor use only
- Visual valve position indicator
- Manual override with end of travel mechanical stops
- Actuator approved and listed per UL 508



SPECIFICATIONS

VALVE SPECIFICATIONS

- Full port size ½” to 3”
- Pressure rating 1000 PSI
- Temperature rating (-)4°F to 366°F / (-)20°C to 186°
- AISI 316 stainless 2 piece construction
- Blow out proof stem
- P.T.F.E seals and double O-ring stem packing
- ISO 5211 pad for actuator mounting

ACTUATOR SPECIFICATIONS

VALVE MODEL	VOLTAGE INPUT	ABSORBED CURRENT	ABSORBED POWER	TEMP RATING	WORKING TIME	MAX TORQUE	LIMIT SWITCHES	ACTUATOR TYPE
½” to 2”	24 VAC	1.0–0.7 A	24–17 VA	(-)4°F to 131°F	8 seconds	266 in-Lbs	(2) SPDT 2A @250	VB030
2 ½”	24 VAC	1.8–1.2 A	43–29 VA	(-)4°F to 131°F	9 seconds	530 in-Lbs	(2) SPDT 2A @250	VB060
3”	24 VAC	1.0–0.7 A	24–17 VA	(-)4°F to 131°F	27 seconds	975 in-Lbs	(2) SPDT 2A @250	VB110

VALVE FLOW SPECIFICATIONS

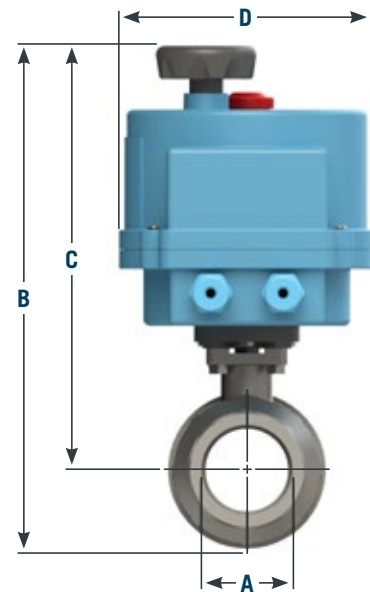
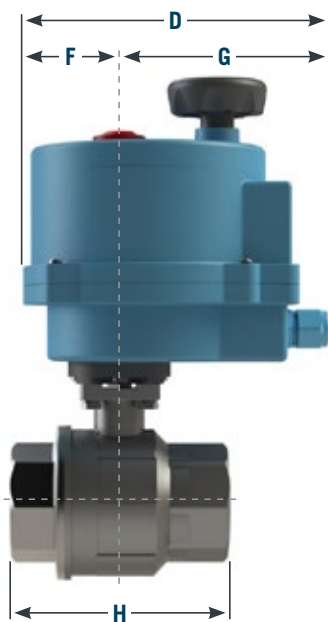
PRESSURE DROP	DESCRIPTION							
	½”	¾”	1”	1 ¼”	1 ½”	2”	2 ½”	3”
CV/1 PSI	22	41	75	120	201	349	631	1009
2 PSI	31	58	106	170	284	494	892	1427
3 PSI	38	71	130	208	348	604	1093	1748
4 PSI	44	82	150	240	402	698	1262	2018
5 PSI	49	92	168	268	449	780	1411	2256

FLOW RATE—GPM



DIMENSIONS

DN A	B	C	D	E	F	G	H
1/2	9.36	8.68	6.18	7.48	2.38	5.1	2.63
3/4	9.59	8.76	6.18	7.48	2.38	5.1	3.07
1	10.16	9.15	6.18	7.48	2.38	5.1	3.54
1 1/4	10.56	9.29	6.18	7.48	2.38	5.1	3.93
1 1/2	11.4	9.88	6.18	7.48	2.38	5.1	4.4
2	12.15	10.24	6.18	7.48	2.38	5.1	5.31
2 1/2	15.06	12.74	7.28	8.43	2.66	5.77	6.32
3	16.51	13.77	8.31	9.33	3.31	6.02	7.01



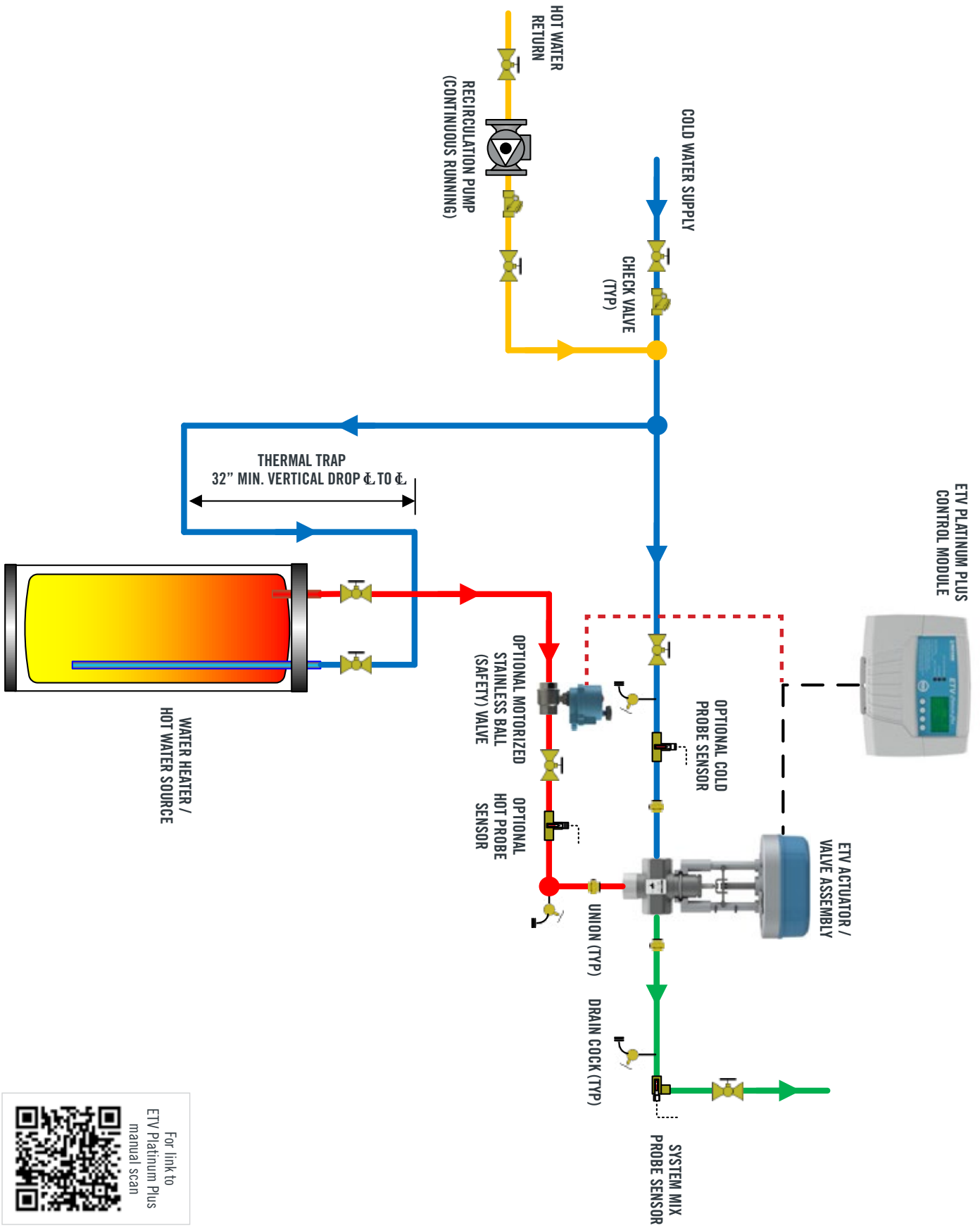
PART NUMBERS

MODELS	DESCRIPTION							
	1/2"	3/4"	1"	1 1/4"	1 1/2"	2"	2 1/2"	3"
STANDARD VALVE	920540-00	920541-00	920542-00	920543-00	920544-00	920545-00	920546-00	920547-00
VALVE WITH BATTERY BACKUP	920550-00	920551-00	920552-00	920553-00	920554-00	920555-00	920556-00	920557-00

NOTE: All valve assemblies (with or without battery backup option) includes valve body, actuator and 24VAC transformer.



PIPING



For link to
ETV Platinum Plus
manual scan