

HEAT-TIMER®

INSTALLATION INSTRUCTIONS

Platinum Communication Upgrade

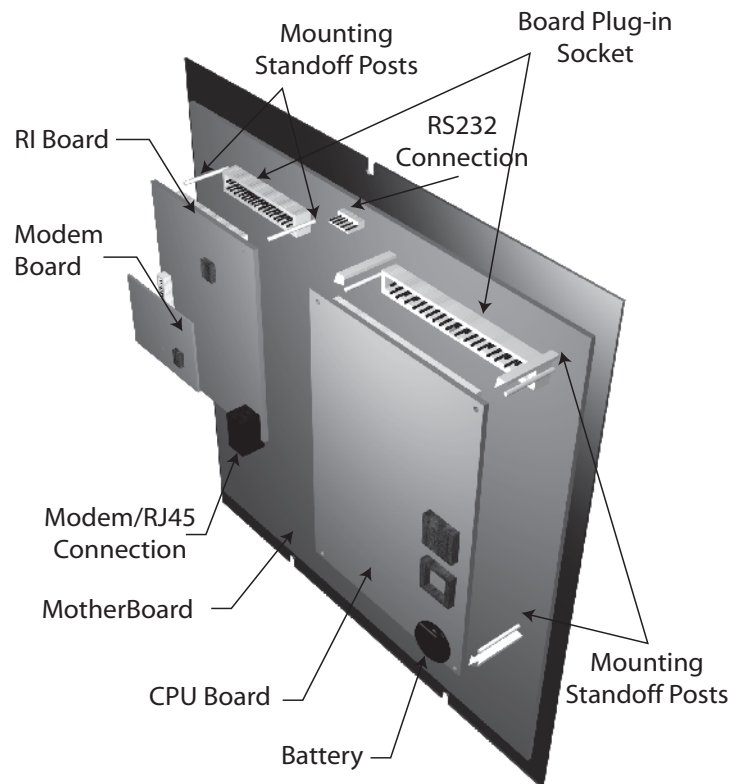
RI (Remote Interface RS232), and RIM (Dialup Modem) RINet (Internet), BAC (BACnet),

All Heat-Timer Platinum Controls are made to function as a stand-alone control. However, for better performance, fuel saving, and data analysis, the Platinum control can be upgraded to one of the many communication options. Some of the communication options allow for the addition and monitoring of a variety of sensors. Wireless Space temperature, temperature sensors, stack sensors, oil tank level monitoring, water meter counter, pressure, vacuum and humidity, are just some of the many sensors that can be used.

RI and RIM Communication Upgrade

A Platinum control can communicate using RS232 by directly connecting the control to a computer's serial port or using a phone connection and dialing through a computer software (Visual Gold Plus).

- **Visual Gold Plus Software:** The computer must have Visual Gold Plus (Communication Software) installed. The Visual Gold Plus CD comes with the RI/RIM upgrade packages or can be downloaded through the Internet from the Heat-Timer web site.
- **CPU Board:** The CPU Board includes the control operating software. It is mounted on the back of the Platinum control motherboard. First, remove the old CPU board by pushing the standoff clips away from the board. Then, pull the board out. Plug the new CPU board into the motherboard socket and snap the standoff back in position. Make sure that the plug to the Motherboard is centered and tight. Remove the plastic battery isolation strip.
- **RI/RIM Board:** The RI Board (RS232 communication) allows the Platinum control to communicate. A RIM Board (Phone Modem communication) is similar to the RI board but with an additional smaller board mounted on top. When upgrading to communication or replacing the RI Board, the proper CPU must be installed to guarantee software and hardware compatibility. When upgrading the RI/RIM boards make sure to replace the Standoff. Make sure to use the three holes indicated on the diagram only. Then, insert the RI/RIM Board into the Motherboard socket and push the RI/RIM board down for the standoff posts to snap in. Make sure that the RI/RIM board plugs have good contact with mother board socket. If communication testing was not successful, it is due to the RI/RIM board not having good contact with its matching motherboard socket. In this case remove the standoffs next to the socket and reinsert the RI/RIM board, then retest the communication.



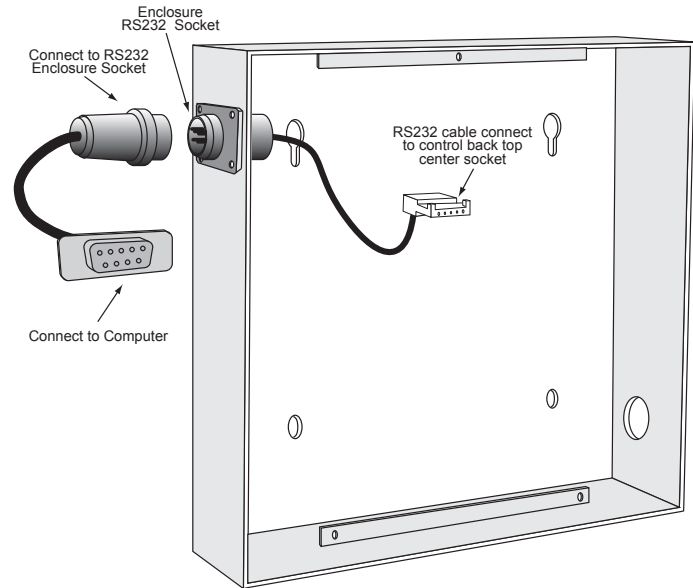
2 Heat-Timer Corp.

- **Phone Connection:** Bring the Phone line through one of the enclosure's side knockouts. Class 2 voltage wires must enter the enclosure through a different knockout from Class 1 voltage wires. Plug the phone line into the RIM Board and test the communication using the Visual Gold Plus software provided.
- **RS232 Cable:** The RS232 to control cable comes with either a RI or RIM packages. Pass the Round End from the outside of the Platinum enclosure through one of the side knockouts. Screw the Round plug using the provided 2 screws to the enclosure. Plug the Flat RS232 connection (5 pins) to the upper terminal on the back of the Platinum panel. Make sure the RS232 is not plugged upside down. When connecting directly to the control using RS232, use the Enclosure to PC cable (HT# 908311-00) purchased separately.

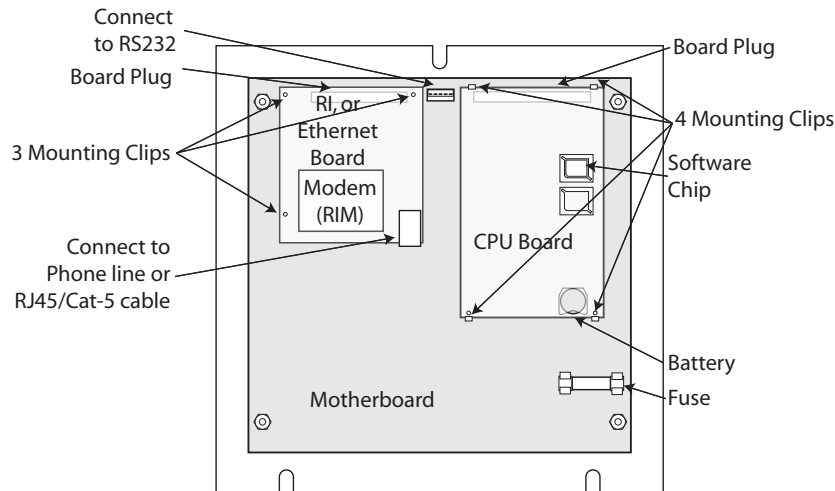
BACnet or RINet Communication Upgrade

For Internet capable Platinum controls, a dedicated high speed Internet connection is required. For BACnet communication Platinum control, a BMS/EMS with BACnet IP is required.

- **Dedicated Internet Connection:** The Control must have a dedicated Internet connection. Only a web browser with Java is required for the computer to access the control over the Internet.
- **CPU Board:** The CPU Board includes the control operating software. It is mounted on the back of the Platinum control motherboard. First, remove the old CPU board by pushing the standoff clips away from the board. Then, pull the board out. Plug the new CPU board into the motherboard and snap the standoff back in position. Make sure that the plug to the Motherboard is centered and tight. Remove the plastic battery isolation strip.



BACK OF PLATINUM PANEL



- **RINet/BAC Board:** The RINet/BAC Board allows the Platinum control to communicate. When upgrading to or replacing the RINet/BAC Board, the proper CPU must be installed to guarantee software and hardware compatibility. When upgrading the RINet/BAC boards, make sure to replace the Standoffs to match the RINet/BAC board. Push the provided standoff posts into the Motherboard holes. Make sure to use the three holes indicated on the diagram only. Plug the RINet/BAC Board into the Motherboard socket and push the RINet/BAC board down for the standoff posts to snap in. Make sure that the RINet/BAC board plugs have good contact with mother board socket.

- **Ethernet Connection:** Bring the Ethernet line through one of the side knockouts. Class 2 voltage wires must enter the enclosure through a different knockout from Class 1 voltage wires. Plug the Ethernet cable into the RINet/BAC Board.