

PRE-ASSEMBLED TEMPERING STATION

Compact/Pre-assembled Tempering Station for ease of installation and accurate temperature control

CONFORMS TO THE FOLLOWING

ASSE 1017

California Lead Free Plumbing Law

CSA B 125.3 (NSF/ANSI 61 Section 8)



ADVANTAGES OF THE ELECTRONIC TEMPERING STATION

- Pre-wired control module. Includes the ETV Electronic Tempering Valve with Actuator and Control Module
- Select from 3 different sizes ranging from 3/4" to 2 1/2"
- Pre-piped assembly includes 5 pipe connections for easy installation
- Each Station assembly includes unions, isolation valves, system sensor, check valves
- Compact Wall Mounted Design

DESIGNED FOR CRITICAL TEMPERATURE APPLICATIONS

- Accurately maintains set point from 0.5 gpm domestic draw to full flow
- Domestic Hot Water Temperature Control
- Heating & Cooling or Industrial Applications
- Accurately Maintains set point within +/- 2°F

STAINLESS STEEL VALVE BODIES

- Conforms to Lead Free Requirements
- Rugged Body Design
- Minimizes Scale Build Up Requiring Little or No Maintenance
- External Mounted Actuator

SAFEGUARD AGAINST HIGH TEMPERATURE CONDITIONS

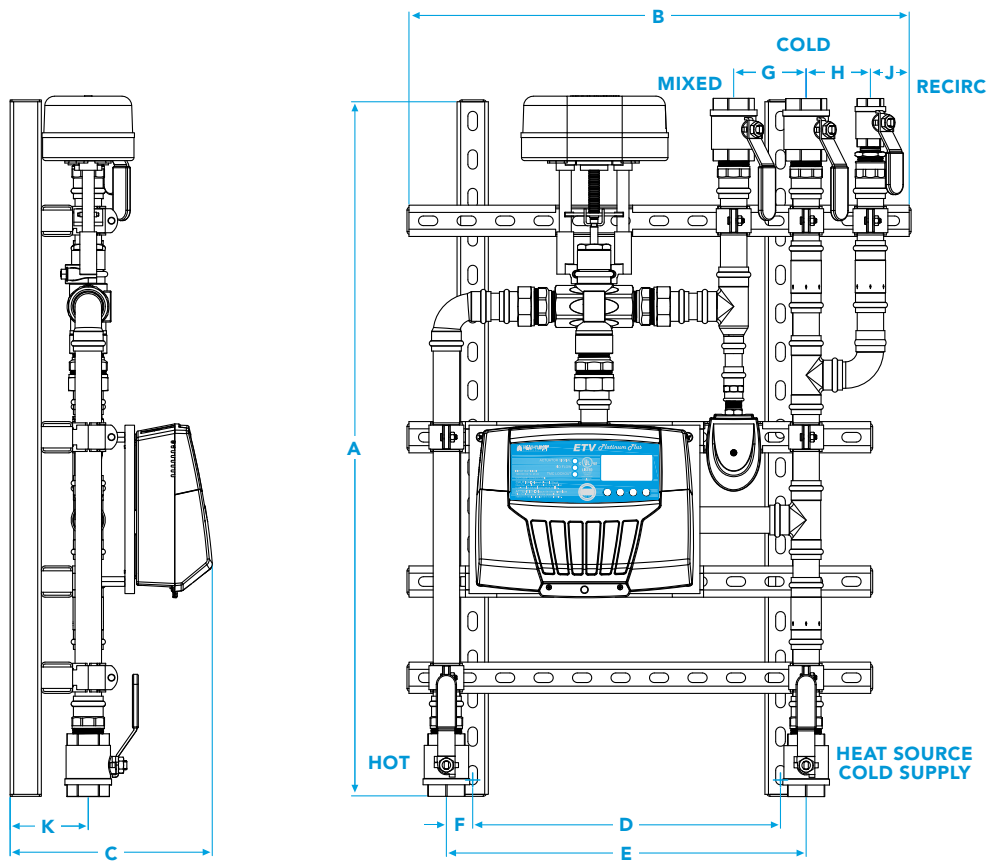
- ETV actuator contains a Loss of Power capacitor that closes the valve to a full COLD position

REMOTE COMMUNICATION OPTIONS

- Internet (Heat-Timer RINET)
- BACnet (IP or MSTP)
- ModBus



MODELS—ETS-LT 75, ETS-LT 100 AND ETS-LT 125



DIMENSIONS

ETS MODEL	PART NUMBER	ETV VALVE SIZE	PIPE SIZE					HEAT SOURCE COLD SUPPLY	A	B	C	D	E	F	G	H	J	K	WEIGHT
			MIXED	COLD	HOT	RECIRC													
ETS-75	915800-075	3/4"	3/4"	3/4"	3/4"	3/4"	3/4"	36.00	26.00	10.50	16.00	18.70	1.50	3.75	2.50	3.00	3.81	52 lbs.	
ETS-100	915800-100	1"	1"	1"	1"	3/4"	1"	36.00	26.00	10.50	16.00	18.70	1.50	3.75	3.00	2.25	3.94	58 lbs.	
ETS-125	915800-125	1 1/4"	1 1/4"	1 1/4"	1 1/4"	3/4"	1 1/4"	36.00	26.00	10.50	16.00	18.70	1.38	3.75	3.38	2.00	4.06	68 lbs.	



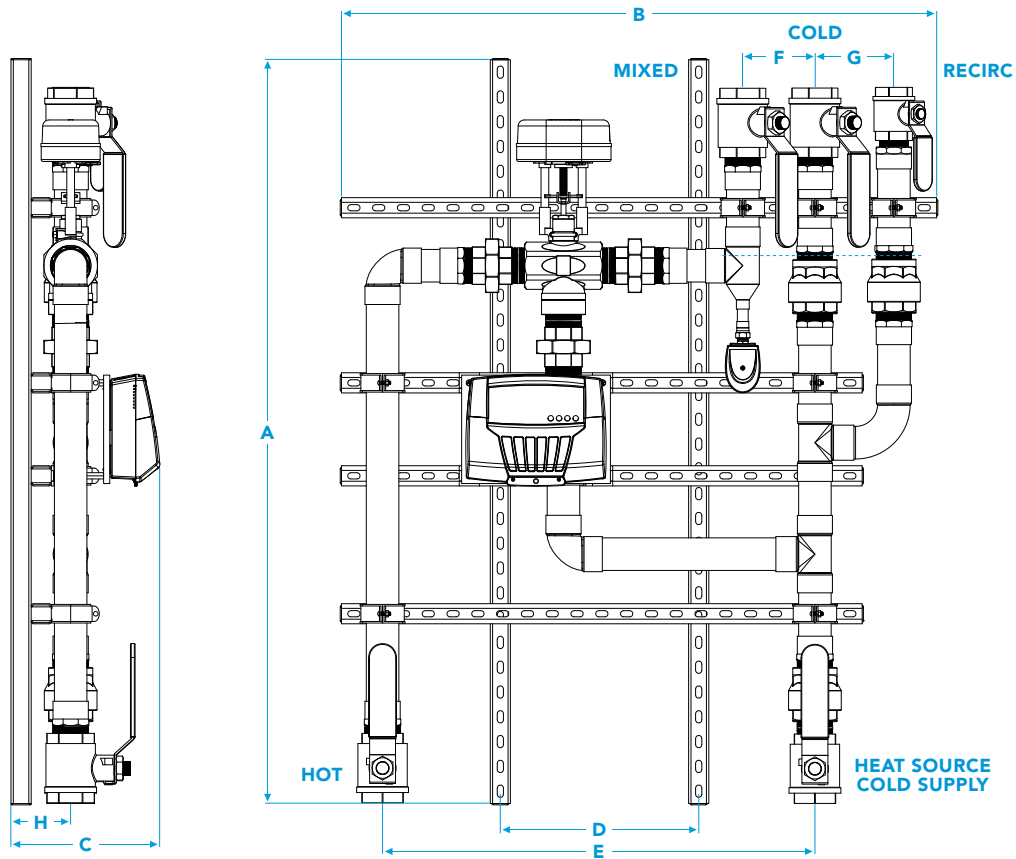
SIZING

PRESSURE DROP PSI	ETS MODELS		
	ETS-75	ETS-100	ETS-125
Cv	7	12	18
3	12	20	32
4	15	23	37
5	16	26	41
6	18	28	45
7	20	31	50
8	21	33	53
9	22	35	56
10	23	36	58
11	24	38	62
12	25	40	64
BUILDING RECIRC	5	5	10

GPM (GALLONS PER MINUTE)



MODELS—ETS-LT 150, ETS-LT 200 AND ETS-LT 250



DIMENSIONS

ETS MODEL	PART NUMBER	ETV VALVE SIZE	PIPE SIZE					HEAT SOURCE COLD SUPPLY	A	B	C	D	E	F	G	H	WEIGHT
			MIXED	COLD	HOT	RECIRC											
ETS-150	915800-150	1½"	1½"	1½"	1½"	1¼"	1½"	42.00	34.00	10.50	16.00	24.00	4.88	3.88	4.19	95 lbs.	
ETS-200	915800-200	2"	2"	2"	2"	1½"	2"	48.00	36.00	11.50	16.00	26.50	5.00	5.19	4.50	130 lbs.	
ETS-250	915800-250	2½"	2½"	2½"	2½"	2"	2½"	60.00	48.00	12.00	16.00	34.88	5.88	6.38	4.88	215 lbs.	



SIZING

PRESSURE DROP PSI	ETS MODELS		
	ETS-150	ETS-200	ETS-250
Cv	29	46	73
3	50	80	126
4	58	93	145
5	64	103	162
6	71	113	178
7	78	125	192
8	83	132	205
9	88	140	218
10	91	145	230
11	97	154	241
12	100	160	252
BUILDING RECIRC	10	15	15

GPM (GALLONS PER MINUTE)



SPECIFICATIONS

CONTROL MODULE

Voltage Input	120 VAC 60 Hz
Maximum Input Rating	48 VA maximum
Display	Graphic Display
Display/Temperature Units	°F and °C
Modes of Operation	ETV, TMC, ETV+TMC Combo
ETV Set Point	40°F / 4°C to 200°F / 93°C
Alarm Set Point	40°F / 4°C to 200°F / 93°C
Modulation Output Signal	0–10V, 2–10V, 0–5V, 1–5V, 4–20mA
LED Indicators	3 (Actuator Signal, No Flow, Alarm Status)
Inputs	Sensors (Hot, Cold, Mixed), Flow Prove, EMS 4–20mA
Dimensions	11"W x 9"H x 3 3/4"D
Weight	2.5 lbs.

ACTUATOR

Voltage Input	24 VAC 60 Hz
Power Consumption	18 VA maximum
Input Signal	0–10 V
Weight	2.6 lbs.

VALVE BODY

Body & Trim	304 Stainless
Maximum Operating Temperature	300°F / 149°C
Maximum Working Pressure	225 PSI
Stem Material	640 Stainless



COMMUNICATION

MODEL	DESCRIPTION		
	COMPLETE ASSEMBLY BACNET OPTION	COMPLETE ASSEMBLY MODBUS OPTION	COMPLETE ASSEMBLY RINET OPTION
ETS-75	915800-075-BAC	915800-075-BUS	915800-075-RINET
ETS-100	915800-100-BAC	915800-100-BUS	915800-100-RINET
ETS-125	915800-125-BAC	915800-125-BUS	915800-125-RINET
ETS-150	915800-150-BAC	915800-150-BUS	915800-150-RINET
ETS-200	915800-200-BAC	915800-200-BUS	915800-200-RINET
ETS-250	915800-250-BAC	915800-250-BUS	915800-250-RINET